



PMC LONE STAR



Gages, Calibration & Instruments

Measuring API Tubing, Casing & Line Pipe with Ring Gages

PMC Lone Star Technical Brief Doc. 104 Rev. a

David R. Maisch
Director of Engineering & Industrial Affairs
PMC Lone Star
November 9, 2014



API Specification 5B states that the required nominal standoff between the ring gage and the small end face of the pipe is 0, the ring gage should be flush to the small end face of the pipe. The tolerance on standoff is:

8TPI Tubing & Casing = $\pm 1P$

10TPI Tubing = $\pm 1-1/2P$

Line Pipe (All Pitches) = $\pm 1P$

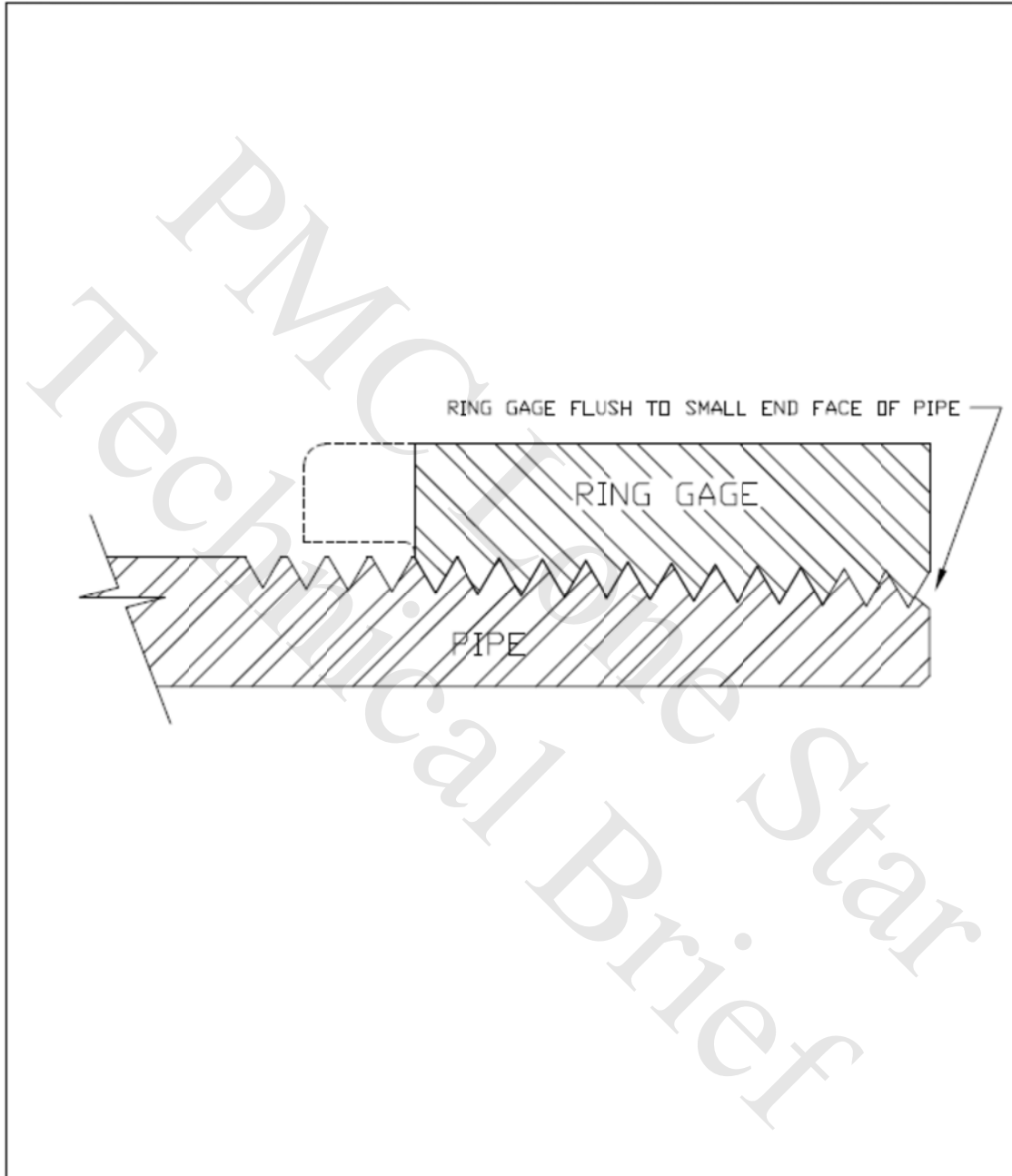
The table below lists all of the size and pitch combinations and their corresponding standoff tolerance for each thread type.

Non-Upset Tubing			External-Upset Tubing		
Size Designation D	Threads per in. TPI	\pm Standoff Tolerance (Decimal)	Size Designation D	Threads per in. TPI	\pm Standoff Tolerance (Decimal)
1.050	10	0.1500	1.050	10	0.1500
1.315	10	0.1500	1.315	10	0.1500
1.660	10	0.1500	1.660	10	0.1500
1.900	10	0.1500	1.900	10	0.1500
2-3/8	10	0.1500	2-3/8	8	0.1250
2-7/8	10	0.1500	2-7/8	8	0.1250
3-1/2	10	0.1500	3-1/2	8	0.1250
4	8	0.1250	4	8	0.1250
4-1/2	8	0.1250	4-1/2	8	0.1250



<u>Casing</u>		
Size Designation D	Threads per in. TPI	± Standoff Tolerance (Decimal)
4-1/2	8	0.1250
5	8	0.1250
5-1/2	8	0.1250
6-5/8	8	0.1250
7	8	0.1250
7-5/8	8	0.1250
8-5/8	8	0.1250
9-5/8	8	0.1250
10-3/4	8	0.1250
11-3/4	8	0.1250
13-3/8	8	0.1250
16	8	0.1250
18-5/8	8	0.1250
20	8	0.125

<u>Line Pipe</u>		
Size Designation D	Threads per in. TPI	± Standoff Tolerance (Decimal)
1/8	27	0.0370
1/4	18	0.0556
3/8	18	0.0556
1/2	14	0.0714
3/4	14	0.0714
1	11.5	0.0870
1-1/4	11.5	0.0870
1-1/2	11.5	0.0870
2	11.5	0.0870
2-1/2	8	0.1250
3	8	0.1250
3-1/2	8	0.1250
4	8	0.1250
5	8	0.1250
6	8	0.1250
8	8	0.1250
10	8	0.1250
12	8	0.1250
14	8	0.1250
16	8	0.1250
18	8	0.1250
20	8	0.1250



Note: Standoff information provided is based on nominal condition and is for reference only. API 5B requires that standoff to the pipe is adjusted/compensated by using the P_1 value of your working ring as measured against a certified reference master gage. The standoff tolerance is then applied to the P_1 value to determine the minimum and maximum standoff allowed. When available, this P_1 value should be used in order to properly adjust the gage standoff in order to maintain compliance to API 5B.